

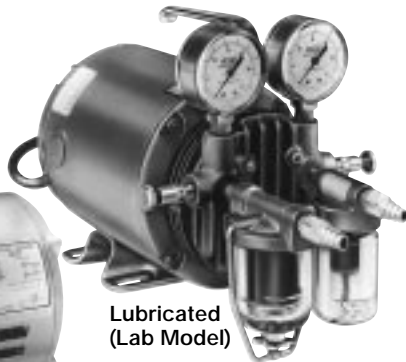


Motor Mounted Rotary Vane 1.1 or 1.3 cfm

Lubricated or Oilless 0211 Series



Oilless Version



Lubricated (Lab Model)

MODEL 0211 SERIES

LUBRICATED:

20" HG MAX., VAC., 20 PSI MAX. PRESSURE
1.3 CFM OPEN FLOW

OILLESS:

20" HG MAX., VAC., 15 PSI MAX. PRESSURE
1.1 CFM OPEN FLOW

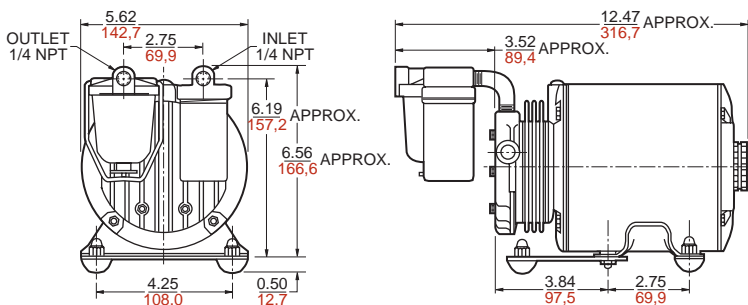
0211 LAB MODEL (Lubricated)

Specially accessorized for laboratory use.
20" HG MAX. VAC., 20 PSI MAX. PRESSURE
1.3 CFM OPEN FLOW

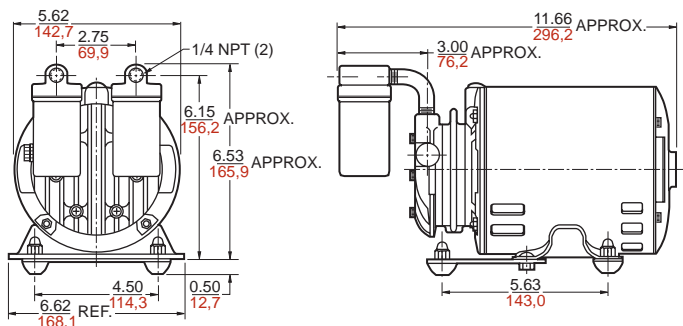
Product Dimensions (mm, inches)

Dimensions are for reference only.

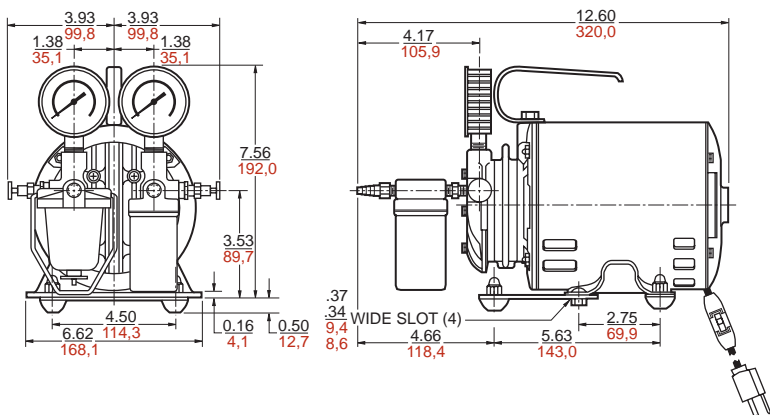
Lubricated Version



Oilless Version



Lab Model (Lubricated)



PRODUCT FEATURES

- Lubricated or oilless operation
- Motor mounted
- Rugged construction/low maintenance
- Essentially pulse-free service
- Built-in pressure relief valve on standard units (Non-Lab Models)

INCLUDES

Lubricated Standard Models:

- Muffler V425B
- Filter/oiler AA680K

Oilless Standard Models:

- Muffler/filter AA617G (2)

Lab Models (Lubricated):

- Gauges - Vacuum AA640, Pressure AA644B
- Hose barbs AA254C
- Regulators AA986A
- Carrying handle AC174
- Cord with on/off switch AA896
- Foot support assembly AC136
- Oiler/filter AA680J
- Muffler AB580B

RECOMMENDED ACCESSORIES

- Vacuum relief valve AA207 (Standard Models)
- Vacuum gauge AA640 (Standard Models)
- Pressure gauge AA644B (Standard Models)
- Oil AD220
- Repair kit K216 (Lubricated Vacuum Models)
- Repair kit K217 (Lubricated Pressure plus Lab Models)
- Repair kit K218 (Oilless, Pressure or Vacuum)

Product Specifications

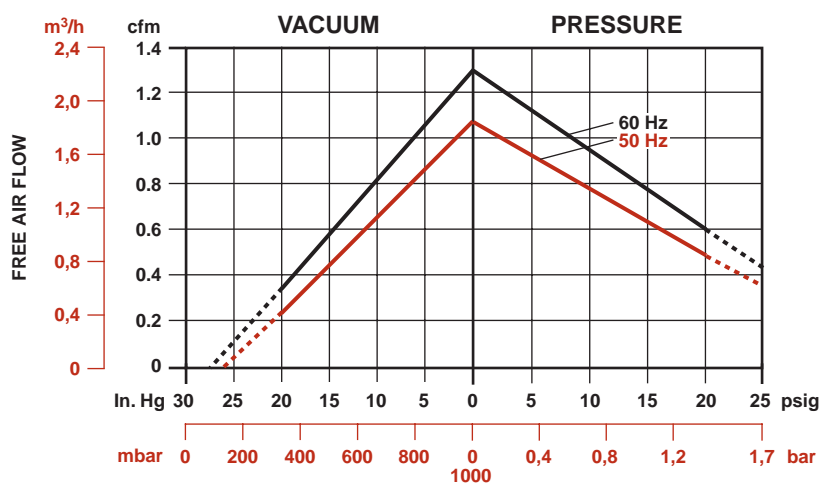
Note: V/P = can be used as vacuum pump or compressor, P = pressure model, V = vacuum model.

Model Number	Motor	RPM		HP	kW	Net Wt.	
		60 Hz	50 Hz			lbs.	kg
LUBRICATED							
0211-V36A-G8CX (V)	115-60-1	1725	—	1/6	0,12	19	8,6
0211-V36A-G230CX (V)	220-50-1	—	1425	1/6	0,12	19	8,6
0211-V45F-G8CX (V/P)*	115-60-1	1725	—	1/6	0,12	19	8,6
0211-V45F-G230CX (V/P)*	220-50-1	—	1425	1/6	0,12	19	8,6
0211-P3B-G8CX (P)	115-60-1	1725	—	1/6	0,12	19	8,6
OILLESS							
0211-103A-G8CX (V/P)	115-60-1	1725	—	1/6	0,12	17	7,7
0211-103A-G230CX (V/P)	220-50-1	—	1425	1/6	0,12	17	7,7

*Lab Model

Product Performance (Metric, U.S.)

Lubricated Models



Oilless Models

